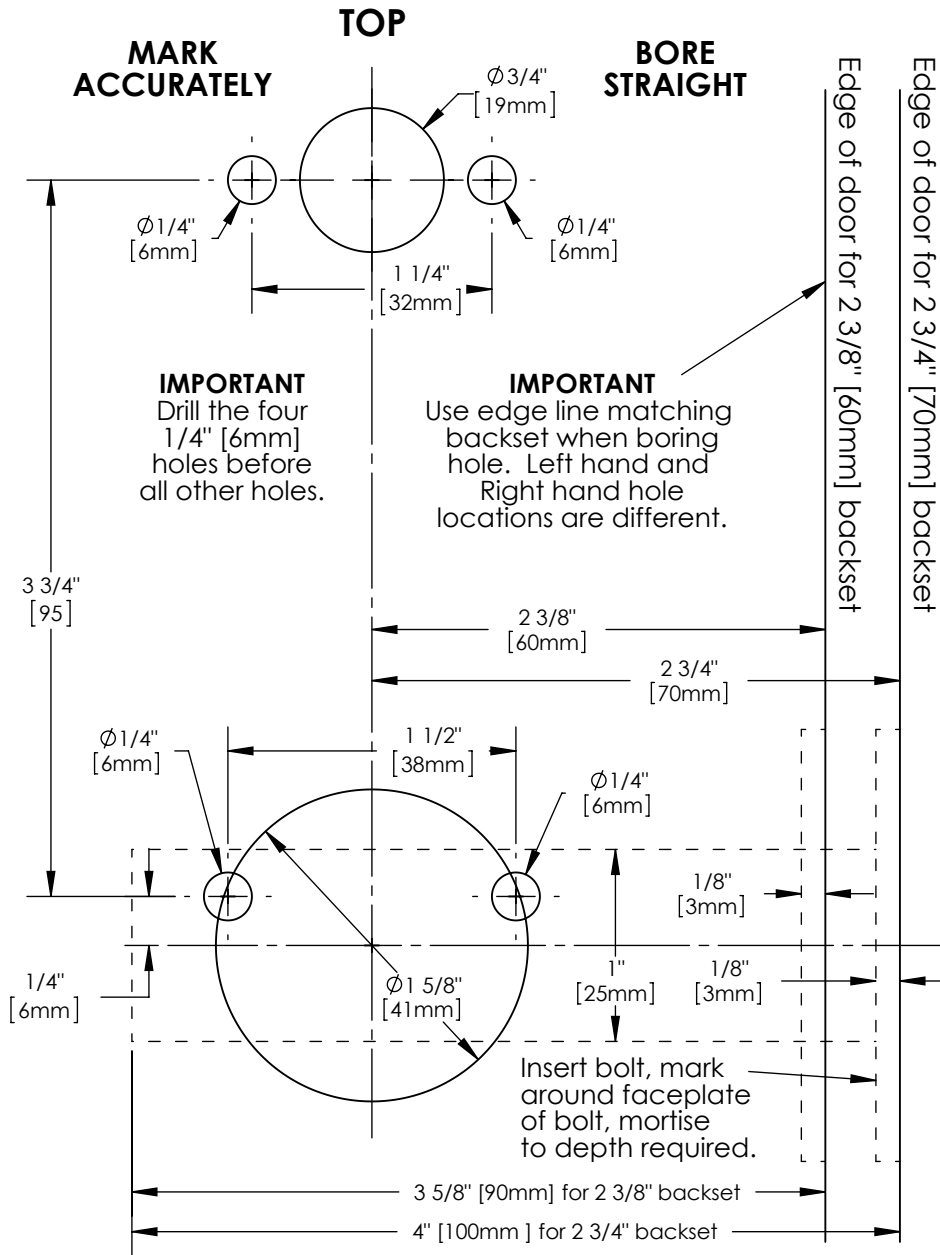


**REFERENCE ONLY, NOT TO SCALE**  
**DO NOT USE AS A DRILLING TEMPLATE**  
**CALL 800-849-8324**

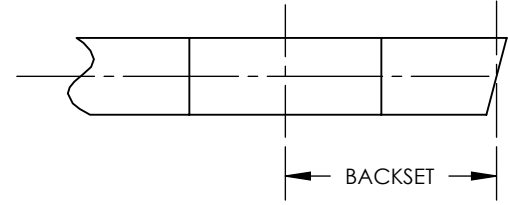
**7102 / 7108 MODELS TEMPLATE, LEFT HAND DOOR**



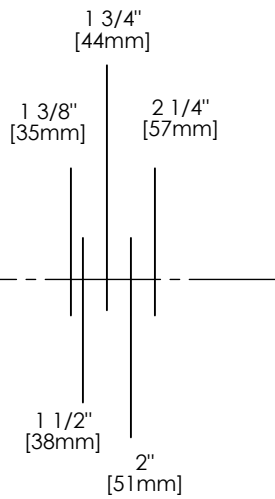
Kaba Access Controls  
 www.kabaaccess.com  
 Tel: 800.849.8324



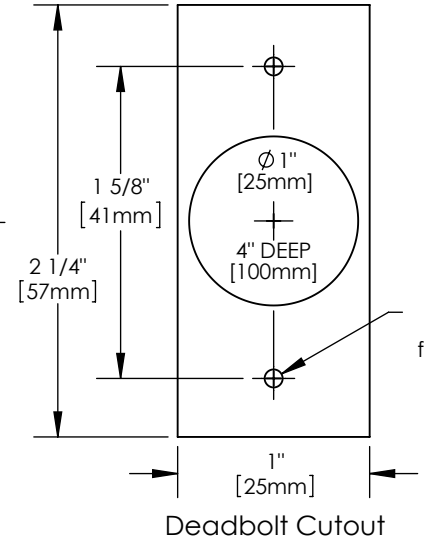
**CAUTION**  
 Apply template and drill from the outside.  
 Compensate for door bevel if any.



**NOTE:** Lock will accommodate doors 1 3/8" [35mm] to 2 1/4" [57mm] thick. Suitable reinforcement shall be provided by the hollow metal door manufacturer to prevent collapsing of door. When door silencers are to be installed, proper allowances must be made for strike location.



Mark center of door thickness



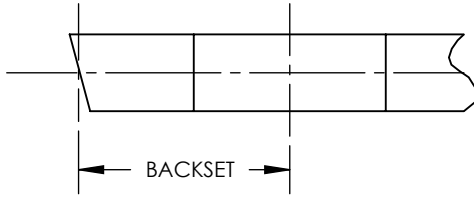
Left Hand installation for both 2 3/8" (60mm) and 2 3/4" (70mm) backsets



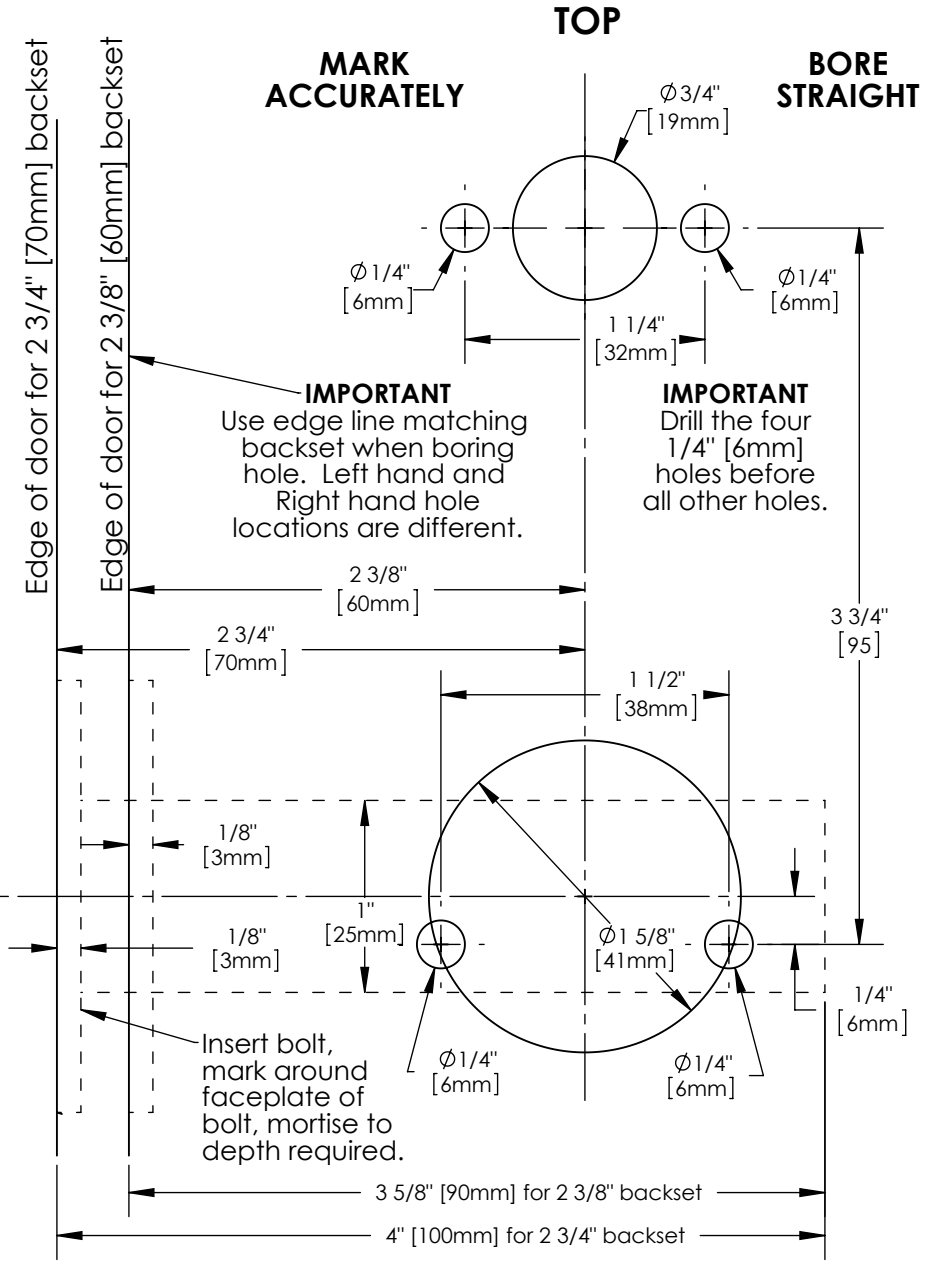
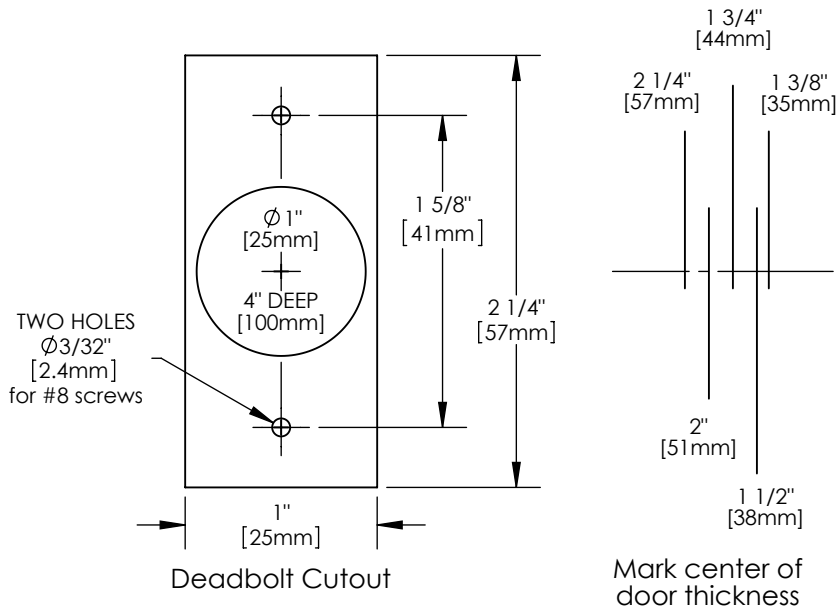
Kaba Access Controls  
 www.kabaaccess.com  
 Tel: 800.849.8324

7102 / 7108 MODELS TEMPLATE, RIGHT HAND DOOR

**CAUTION**  
 Apply template and drill from the outside.  
 Compensate for door bevel if any.



**NOTE:** Lock will accommodate doors 1 3/8" [35mm] to 2 1/4" [57mm] thick. Suitable reinforcement shall be provided by the hollow metal door manufacturer to prevent collapsing of door. When door silencers are to be installed, proper allowances must be made for strike location.



Right Hand installation for both 2 3/8" (60mm) and 2 3/4" (70mm) backsets

PKG3308 0212